

### C-Series



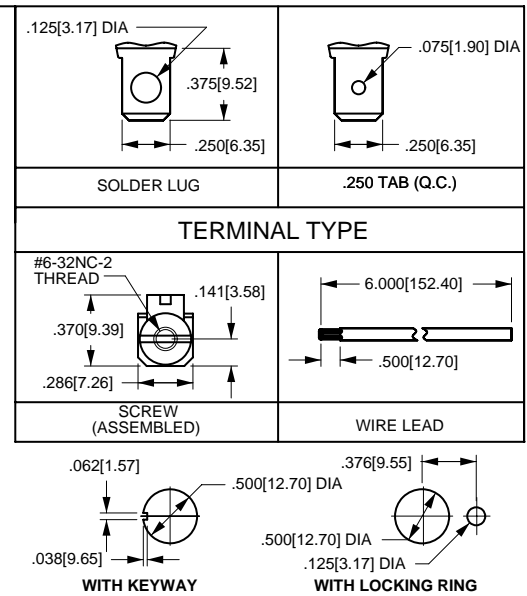
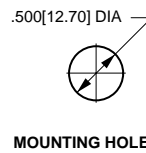
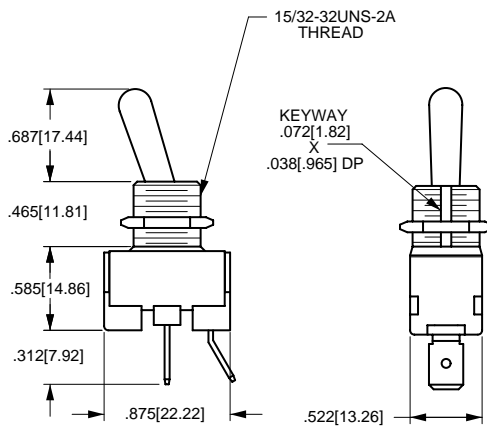
The C-Series toggle switches are single pole switches with ratings up to 20 amps and 1 1/2 horsepower. These switches are available with plated brass toggles and bushings.

#### Specifications

- Certifications\*: UL, CSA
- Dielectric Strength: 1,000V (minimum)
- Insulation Resistance: 100 Megohms (minimum)
- Base Material: Polyarylether
- Actuator Material: Brass/Nickel Plate
- Bushing Material: Brass/Nickel Plate

\* Due to ongoing technological advances, consult factory for certification specifics.

#### Dimensional Specifications: in. [mm]



<b>C</b>	<b>A</b>	<b>20</b>	<b>1</b>	<b>-</b>	<b>73</b>
<b>SERIES</b>	<b>CIRCUIT</b>	<b>RATING</b>	<b>TERMINATION</b>		<b>TOGGLE STYLE</b>
C SINGLE POLE TOGGLE	A ON-NONE-OFF B ON-NONE-ON	10 5A 250VAC 10A 125VAC 1/2HP 125-250VAC 20 10A 250VAC 20A 125VAC 1 1/2HP 125-250VAC	0 SOLDER LUG 1 .250TAB (QC) 4 SCREW TERMINAL 5 WIRE LEAD		

BAT	TOGGLE LENGTH	BUSHING LENGTH	SUFFIX NO.	NEOPRENE SEAL
	.406	.343	52	57
	.687	.465	73	78



NOTES:  
Shading indicates standard configurations.