

C-Series

Single Pole Toggle Switches

The C-Series single pole compact high current toggle switches are ideal for applications with back panel size constraints. These switches feature self-cleaning contacts and ratings up to 20A 125VAC, 10A 250VAC, 1 1/2 HP 125-250VAC. With a rugged metal construction, these switches figure prominently in the Environmental Controls, Marine, Food Service, Vacuum Cleaner and various other general purpose markets with stringent current carrying requirements.



Carling Technologies®

Innovative Designs. Powerful Solutions.

Innovative Designs. Powerful Solutions.

Carling Technologies, Inc.
60 Johnson Avenue • Plainville, CT 06062-1177
Phone: (860) 793-9281 • Fax: (860) 793-9231
Email: sales@carlingtech.com • www.carlingtech.com

Dielectric Strength

1000V - live to dead metal parts and opposite polarity.

Electrical Life

25,000 cycles

Mechanical Life

100,000 cycles

Operating Temperature

32°F to 185°F (0°C to 85°C)

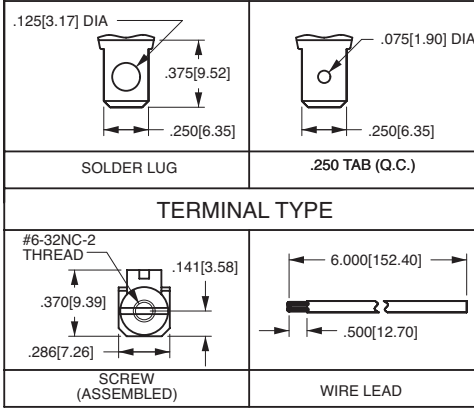
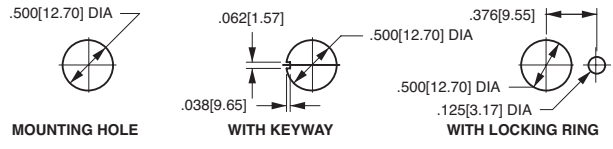
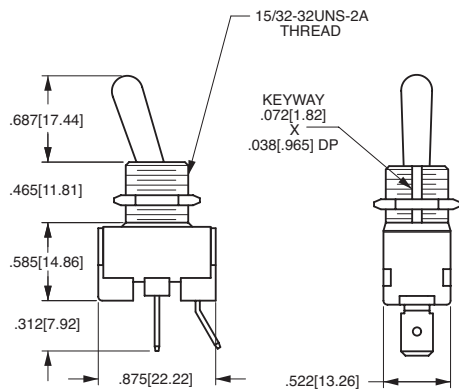
CA201 - **73**

1 Base Part Number 2 Actuator Style

| | | | | |
|--|--------------|--------------|--------------|--------------|
| 1 BASE PART NUMBER: SERIES/POLES/CIRCUITRY/RATING/TERMINATION | | | | |
| 10A 250VAC, 20A 125VAC, 1 1/2 HP 125-250VAC | | | | |
| Single Pole | Solder Lug | .250 Tab | Screw Term. | Wire Leads |
| On-None-Off | CA200 | CA201 | CA204 | CA205 |
| On-None-On | CB200 | CB201 | CB204 | CB205 |

| | | | | |
|-------------------------------------|----------------|--------------|------------------------|-------------------------|
| 2 ACTUATOR STYLE¹ | | | | |
| BAT | unsealed 73 | sealed 78 | toggle length 0.687 | bushing length 0.465 |

Notes:
1 Additional toggle styles available. Consult factory.



*Manufacturer reserves the right to change product specification without prior notice.