

DK/EK-Series

Heavy Duty Toggle Switches

The switch that can handle your heavy duty requirements. Single or double pole with wire lead or screw terminations, and ratings to 20A 125V 10A 250V, the ac/dc DK/EK-Series is the most heavy duty toggle switch in the Carling line. Its sturdy metal construction and stiff actuation force will withstand the abuses of virtually any stringent application. The quick make/quick break contact mechanism is ideal for high voltage DC applications. The DK/EK-Series has long been a staple of the Industrial Motor control and General Purpose market segments.



Carling Technologies®

Innovative Designs. Powerful Solutions.

Innovative Designs. Powerful Solutions.

Carling Technologies, Inc.
60 Johnson Avenue • Plainville, CT 06062-1177
Phone: (860) 793-9281 • Fax: (860) 793-9231
Email: sales@carlingtech.com • www.carlingtech.com

Dielectric Strength

UL/CSA: 1000V - live to dead metal parts & opposite polarity

Electrical Life

25,000 cycles

Mechanical Life

100,000 cycles

Operating Temperature

0°F to 150°F (-17.8°C to +65.6°C)

DK284 - 73

¹
Base Part Number

²
Actuator Style

1 BASE PART NUMBER: SERIES/POLES/CIRCUITRY/RATING/TERMINATION

8A 250V, 16A 125V, 1 HP 125-250V

	Screw Terminals	Wire Leads
Single Pole		
On-None-Off	DA284	DA285

Double Pole		
On-None-Off	DK284	DK285

10A 250V, 20A 125V, 1 1/2 HP 125-250V

	Screw Terminals	Wire Leads
Single Pole		
On-None-Off	EA204	EA205

Double Pole		
On-None-Off	EK204	EK205

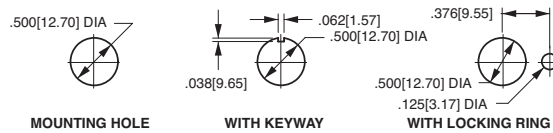
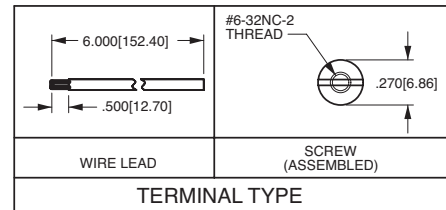
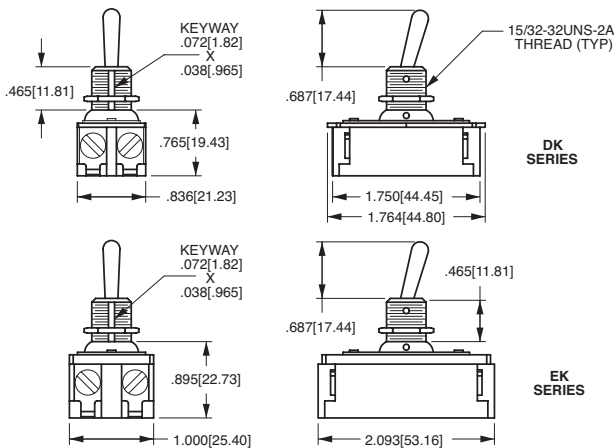
2 ACTUATOR STYLE¹

BAT STYLE TOGGLE		
unsealed	toggle length	bushing length
73	0.687	0.465

BALL STYLE TOGGLE		
unsealed	toggle length	bushing length
32	0.500	0.343

Notes:

1 Additional toggle lengths available. Consult factory for details.



*Manufacturer reserves the right to change product specification without prior notice.