

G-Series



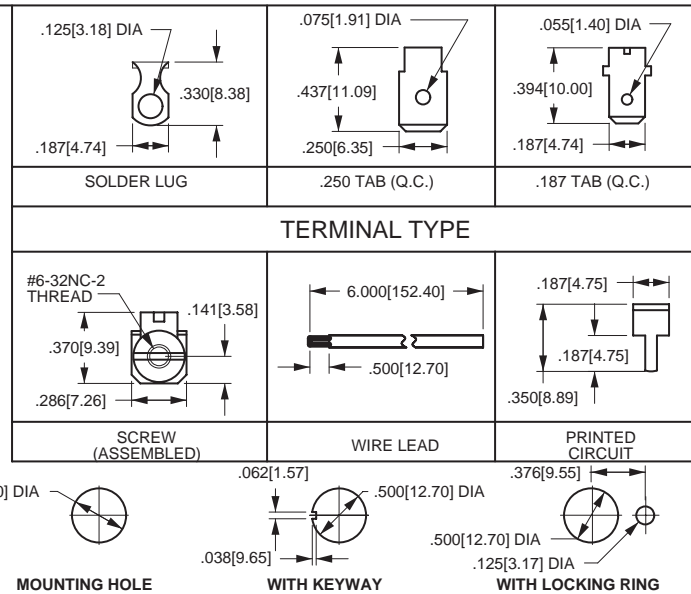
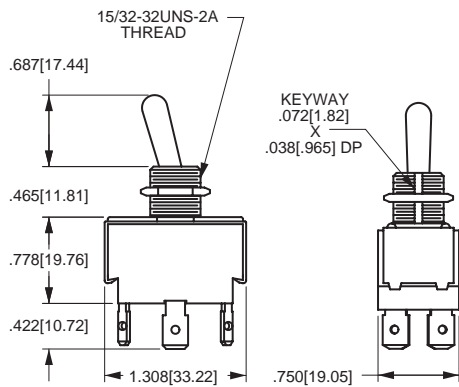
The G-Series toggle switches are single or double pole, AC rated up to 20 amps and contain a slow-make, slow-break contact mechanism. These switches are available in a wide range of ratings, terminations, circuits and bushing/toggle configurations.

Specifications

- Certifications*: UL, CSA, VDE
- Dielectric Strength: 1,000 V (minimum)
- Insulation Resistance: 100 Megohms (minimum)
- Base Material: Phenolic
- Actuator Material: Brass/Nickel Plate or Polycarbonate
- Bushing Material: Brass/Nickel Plate or Polycarbonate

* Due to ongoing technological advances, consult factory for certification specifics.

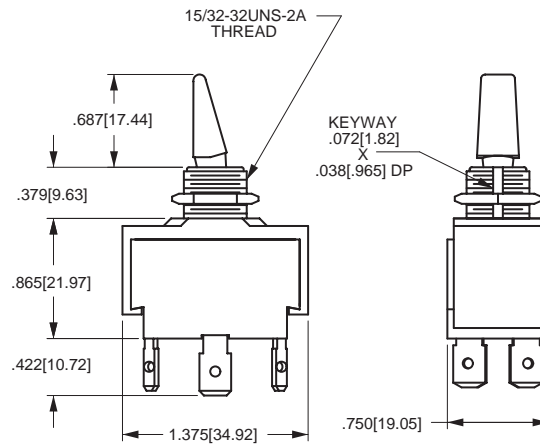
Dimensional Specifications: in. [mm]



2G	A	5	1	-	73			
SERIES	RATING²	TERMINATION/FUNCTION						
2G MAINTAINED 6G MOMENTARY	0 20A 250VAC 5 10A 250VAC 15A 125VAC 3/4HP 125-250VAC 6 3A 250VAC 6A 125VAC 1/4HP 125-250VAC 7 12A 250VAC 17A 125VAC 1HP 250VAC 9 10A 250VAC 15A 125VAC 12(6)A 250VAC T85 3/4HP 125-250VAC 72 20A 125-277VAC 1 1/2HP 125VAC 2HP 250VAC	FUNCTION ON-NONE-OFF (ON)-NONE-OFF ON-NONE-(OFF) ON-NONE-ON ON-NONE-(ON) ON-OFF-ON ON-OFF-(ON) (ON)-OFF-(ON)	LUG 0 A L 0 A 0 A L	SOLDER TAB (QC) 1 B M 1 B 1 B M	TAB (QC) 3 D R 3 D 3 D R	SCREW TERM. 4 E S 4 E 4 E S	WIRE LEAD 5 F T 5 F 5 F T	PC TERM. 6 G U 6 G 6 G U
CIRCUIT¹					TOGGLE STYLE³			
SINGLE POLE IN DOUBLE POLE BASE A ON-NONE-OFF B ON-NONE-ON C ON-OFF-ON					BAT			
DOUBLE POLE K ON-NONE-OFF L ON-NONE-ON M ON-OFF-ON					.406 .562 .687 1.00 1.25 .687 .687 1.50			
					.343 .465 .465 .465 .465 .465 .465			
					52 63 73 A3 B3 NBL3 NWH3 C3			
					SUFFIX NO. 57 68 78 A8 B8 NBL8 NWH8 C8			

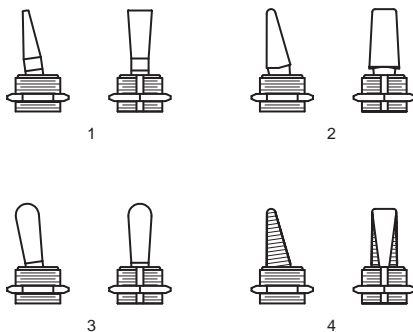
NOTES:
 Shading indicates standard configurations.
 For bushing accessories, see pages 69 and 70.
 1 Additional circuits are available on page 53.
 2 Additional ratings available. Consult factory.
 Rating Code 5 is applicable to certain circuits only. Consult factory for specifics.
 Rating 9 is only available with nylon bushing and actuator. See page 53 for callout.
 Rating 9 is only available with terminations 0 and 1, circuits A, B, K and L only.
 Rating 72 is only available in maintained circuits and nylon construction. See page 53 for callout.
 3 NBL toggle uses black oxide plated metal bushing for standard construction. NWH toggles use nickel plated metal bushing for standard construction.

Nylon Toggle



S.P. OR D.P. NYLON

FOR NYLON TOGGLES
AFTER TERMINATION SELECTION, ADD SUFFIXES:
(ex.) 2GK51-D-4B-B



D	-	4	-	B	-	B
NYLON TOGGLE		TOGGLE STYLE (SEE DRAWING AT LEFT)		ACTUATOR COLOR		BUSHING COLOR
D				B BLACK W WHITE		B BLACK W WHITE
		1 2 3 4 (WITH NEOPRENE SEAL)				

Additional Circuits¹

CIRCUIT	POSITION 1	POSITION 2	POSITION 3
PROGRESSIVE TWO CIRCUIT			
2GH	CIRCUIT 1 ON	2 CIRCUITS ON	CIRCUIT 2 ON
2GP	CIRCUIT 2 ON	CIRCUIT 1 ON	OFF
2GG	2 CIRCUITS ON	CIRCUIT 1 ON	OFF
6GG MOMENTARY	2 CIRCUITS (ON)	CIRCUIT 1 ON	OFF
SINGLE POLE TRIPLE THROW			
2GE	ON	ON	ON
REVERSING DOUBLE POLE DOUBLE THROW*			
2GX	ON	NONE	ON
2GO	ON	OFF	ON
6GO MOMENTARY	(ON)	OFF	(ON)

*WITH REVERSING DOUBLE POLE DOUBLE THROW CIRCUITS, USE TERMINATION/FUNCTION FROM FOLLOWING OPTIONS:

	SOLDER LUG	.250 TAB (Q.C)	SCREW TERM.	WIRE LEAD
3		3/TABS	4	1
3		3/TABS	4	1
3		3/TABS	4	1

NOTES:

Shading indicates standard configurations.

¹ Additional momentary circuits are available. Consult factory for details.