

# LT-Series

## Toggle Switches

The LT-Series illuminated toggle switches feature up to a three-color lighting sequence from a single lamp. These lighted toggles contain neoprene bushing seals for dust and moisture protection and provide a simple way to dress-up most any Marine or Transportation industry panel. A variety of circuits and terminations are available.



**Carling Technologies®**

Innovative Designs. Powerful Solutions.

Innovative Designs. Powerful Solutions.

Carling Technologies, Inc.  
60 Johnson Avenue • Plainville, CT 06062-1177  
Phone: (860) 793-9281 • Fax: (860) 793-9231  
Email: [sales@carlingtech.com](mailto:sales@carlingtech.com) • [www.carlingtech.com](http://www.carlingtech.com)

### Dielectric Strength

1000V - live to dead metal parts

### Electrical Life

50,000 cycles - maintained  
25,000 cycles - momentary

### Mechanical Life

100,000 cycles

### Operating Temperature

32°F to 185°F (0°C to 85°C)

**LT-1561 - 1 30 - 012**

1  
Base Part Number

2  
Actuator Style

3  
Lighting Sequence

4  
Lamp Voltage

#### 1 BASE PART NUMBER: SERIES/POLES/ILLUMINATION/CIRCUITRY/RATING/TERMINATION<sup>5</sup>

10A 250VAC, 15A 125VAC, 3/4 HP 125-250VAC, 15A 15-28VDC

Single Pole	Solder Lug	.250 Tab QC	.187 Tab QC	Wire Leads
On-None-Off	LT-1510	LT-1511	LT-1514	LT-1515
On-None-(Off)	LT-1520	LT-1521	LT-1524	LT-1525
(On)-None-Off	LT-1530	LT-1531	LT-1534	LT-1535
On-None-On	LT-1540	LT-1541	LT-1544	LT-1545
On-None-(On)	LT-1550	LT-1551	LT-1554	LT-1555
On-Off-On	LT-1560	LT-1561	LT-1564	LT-1565
On-Off-(On)	LT-1570	LT-1571	LT-1574	LT-1575
(On)-Off-(On)	LT-1580	LT-1581	LT-1584	LT-1585
Double Pole	Solder Lug	.250 Tab QC	.187 Tab QC	Wire Leads
On-None-Off	LT-2510	LT-2511	LT-2514	LT-2515
On-None-(Off)	LT-2520	LT-2521	LT-2524	LT-2525
(On)-None-Off	LT-2530	LT-2531	LT-2534	LT-2535
On-None-On	LT-2540	LT-2541	LT-2544	LT-2545
On-None-(On)	LT-2550	LT-2551	LT-2554	LT-2555
On-Off-On	LT-2560	LT-2561	LT-2564	LT-2565
On-Off-(On)	LT-2570	LT-2571	LT-2574	LT-2575
(On)-Off-(On)	LT-2580	LT-2581	LT-2584	LT-2585

#### 2 ACTUATOR STYLE

##### Paddle<sup>1</sup>

- 1 Clear Paddle
- 4 Solid Color Paddle

##### Snapkap Style<sup>2</sup>

- 5 Bright Chrome
- 6 Satin Chrome
- 7 Black Molded

#### Notes:

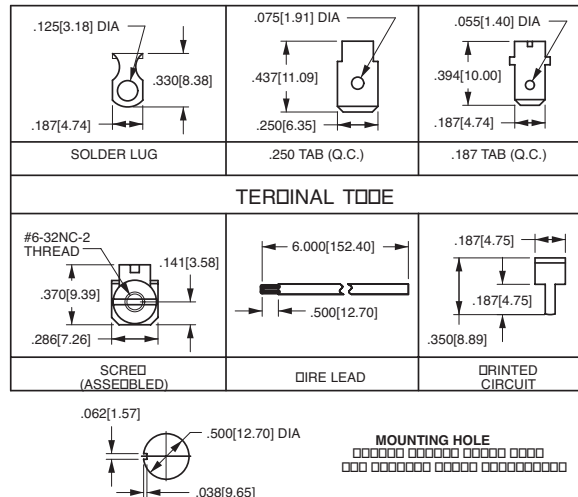
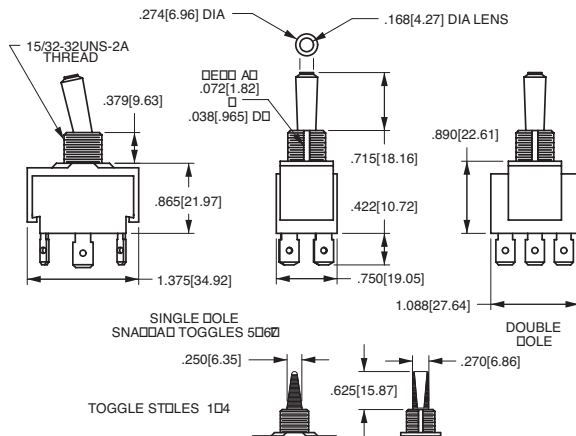
- 1 Solid color paddle available with lighting sequence 01, 02, 10 or 20.
- 2 SnapKap Toggle Lenses are available separately. Consult factory.
- 3 Independent lamp is standard. Dependent lamp with ON-OFF function (including momentary) is available with Lighting Sequences 10, 20, 30, 40 and 50. (No light in OFF position.)
- 4 Green and blue not recommended with 125 volt or 250 volt neon lamps.
- 5 Additional terminations available. Consult factory for details.
- ( ) Indicates momentary function.

#### 3 LIGHTING SEQUENCE<sup>3,4</sup>

	position 1	position 2	position 3
01	red	red	red
02	amber	amber	amber
03	green	green	green
10	red	---	none
11	red	clear	red
12	red	clear	amber
13	red	clear	green
14	red	clear	blue
15	red	clear	clear
20	amber	---	none
21	amber	clear	red
22	amber	clear	amber
23	amber	clear	green
24	amber	clear	blue
25	amber	clear	clear
30	green	---	none
31	green	clear	red
32	green	clear	amber
33	green	clear	green
34	green	clear	blue
35	green	clear	clear
40	blue	---	none
41	blue	clear	red
42	blue	clear	amber
43	blue	clear	green
44	blue	clear	blue
45	blue	clear	clear
50	clear	---	none
51	clear	clear	red
52	clear	clear	amber
53	clear	clear	green
54	clear	clear	blue
55	clear	clear	clear

#### 4 LAMP VOLTAGE<sup>4</sup>

incandescent		neon	
006	6 volt	125N	125 volt neon
012	12 volt	250N	250 volt neon
018	18 volt		
024	24 volt		



\*Manufacturer reserves the right to change product specification without prior notice.