

MAAOA/215-Series

Toggle Switches

The MAAOA/215-Series toggle switches are single pole, AC rated at 20 amps and 125 VAC. These switches are snap-in mounted, with a phenolic toggle and base, and are suitable for high ambient temperature applications including Coffee Makers and Food Warmers.



Carling Technologies®

Innovative Designs. Powerful Solutions.

Innovative Designs. Powerful Solutions.

Carling Technologies, Inc.
60 Johnson Avenue • Plainville, CT 06062-1177
Phone: (860) 793-9281 • Fax: (860) 793-9231
Email: sales@carlingtech.com • www.carlingtech.com

Dielectric Strength

UL/CSA: 1000V - live to dead metal parts & opposite polarity

Electrical Life

25,000 cycles

Mechanical Life

100,000 cycles

Operating Temperature

32°F to 185°F (0°C to 85°C)

MAAOA - **BL** / **ON-OFF**

¹
Base Part Number

²
Color

³
Legend

1 BASE PART NUMBER: SERIES/CIRCUITRY/RATING/TERMINATION

	10A 250 VAC, 20A 125 VAC, 1/2 HP 125-250 VAC	2.50 Tabs	Screw Terms.	Wire Leads
Single Pole				
On-Off	MAAOA	215	215A	
(On)-Off	MM-021	-	-	

2 BASE & ACTUATOR COLOR

BL	Black	BN	Brown
-----------	-------	-----------	-------

3 LEGEND¹

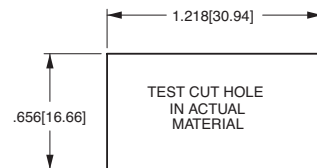
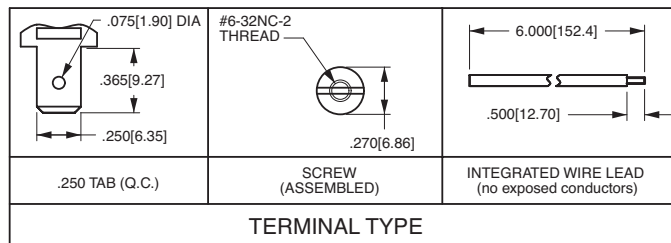
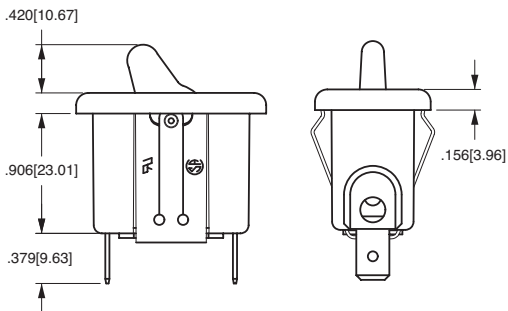
On-Off

Notes:

Panel Cut-Out recommendations: For sheet metal panels, switch must enter panel in same direction as the punch. (Burr on bottom.) Test cut hole in actual material.

1 Imprinting is available. ON-OFF legend is not standard and must be specified after color. If not specified, switch will be manufactured with no legend.

() Indicates momentary function.



MOUNTING HOLE
Panel Thickness: .030[.762] min - .090 [2.28] max.
Specific cutout dimension range dependent on panel thickness and material.