

TG/LTG-Series

Rocker Switches

The TG-Series Mini Tippetto rocker switches are single or double pole and feature an all nylon double-insulated construction. These switches are designed with snap-in mounting for fast, low cost assembly. The illuminated version (LTG) is available with either a paddle or rocker actuator. These AC rated switches are also suitable for low-voltage DC applications assuring compatibility for a wide range of markets including Appliance, HVAC, Food service, and Transportation.



Carling Technologies®

Innovative Designs. Powerful Solutions.

Innovative Designs. Powerful Solutions.

Carling Technologies, Inc.
60 Johnson Avenue • Plainville, CT 06062-1177
Phone: (860) 793-9281 • Fax: (860) 793-9231
Email: sales@carlingtech.com • www.carlingtech.com

Dielectric Strength

UL/CSA:
1000V - live to dead metal parts

Electrical Life

50,000 cycles - maintained
25,000 cycles - momentary

Mechanical Life

100,000 cycles

Operating Temperature

32°F to 185°F (0°C to 85°C)

LTG **G** **O** **50** **1** - **T** **B** - **B** - **R** / **125**

1 Base Part Number 2 Circuit 3 Center Position 4 Rating 5 Termination 6 Actuator Style 7 Actuator Color 8 Base Color 9 Lens Color 10 Lamp Voltage

1 BASE PART NUMBER: SERIES
TG Double Pole, Non-Lighted
LTG Double Pole with Indicator Lights

2 CIRCUIT¹
 See Circuit Designation Chart.

3 CENTER POSITION
C Center OFF, Three position
O No Center OFF, Two position

4 RATING
40 5A 250VAC, 10A 125VAC, 1/2HP 125-250VAC
41 5A 250VAC, 10A 125VAC
50 10A 250VAC, 15A 125VAC, 3/4HP 125-250VAC
51 10A 250VAC, 15A 125VAC

5 TERMINATION/FUNCTION

| | Solder Lug | .250 Tab QC | .187 Tab QC | Wire Leads |
|---------------|------------|-------------|-------------|------------|
| On-None-Off | 0 | 1 | 3 | 5 |
| (On)-None-Off | A | B | D | F |
| On-None-(Off) | L | M | R | T |
| On-None-On | 0 | 1 | 3 | 5 |
| On-None-(On) | A | B | D | F |
| On-Off-On | 0 | 1 | 3 | 5 |

6 ACTUATOR STYLE
P Paddle **T** Rocker

7 ACTUATOR COLOR²
B Black **W** White

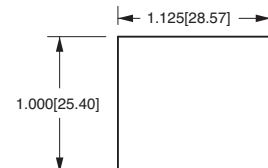
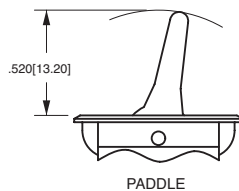
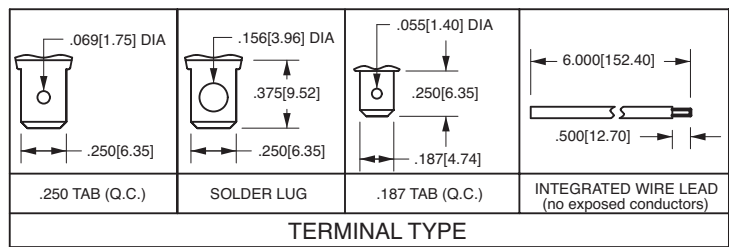
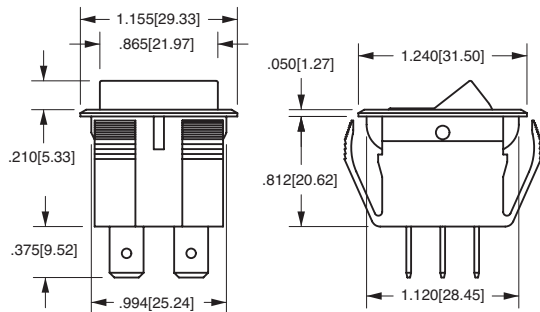
8 BASE COLOR²
B Black **W** White

9 LENS COLOR³
A Amber **C** Clear **R** Red

10 LAMP VOLTAGE

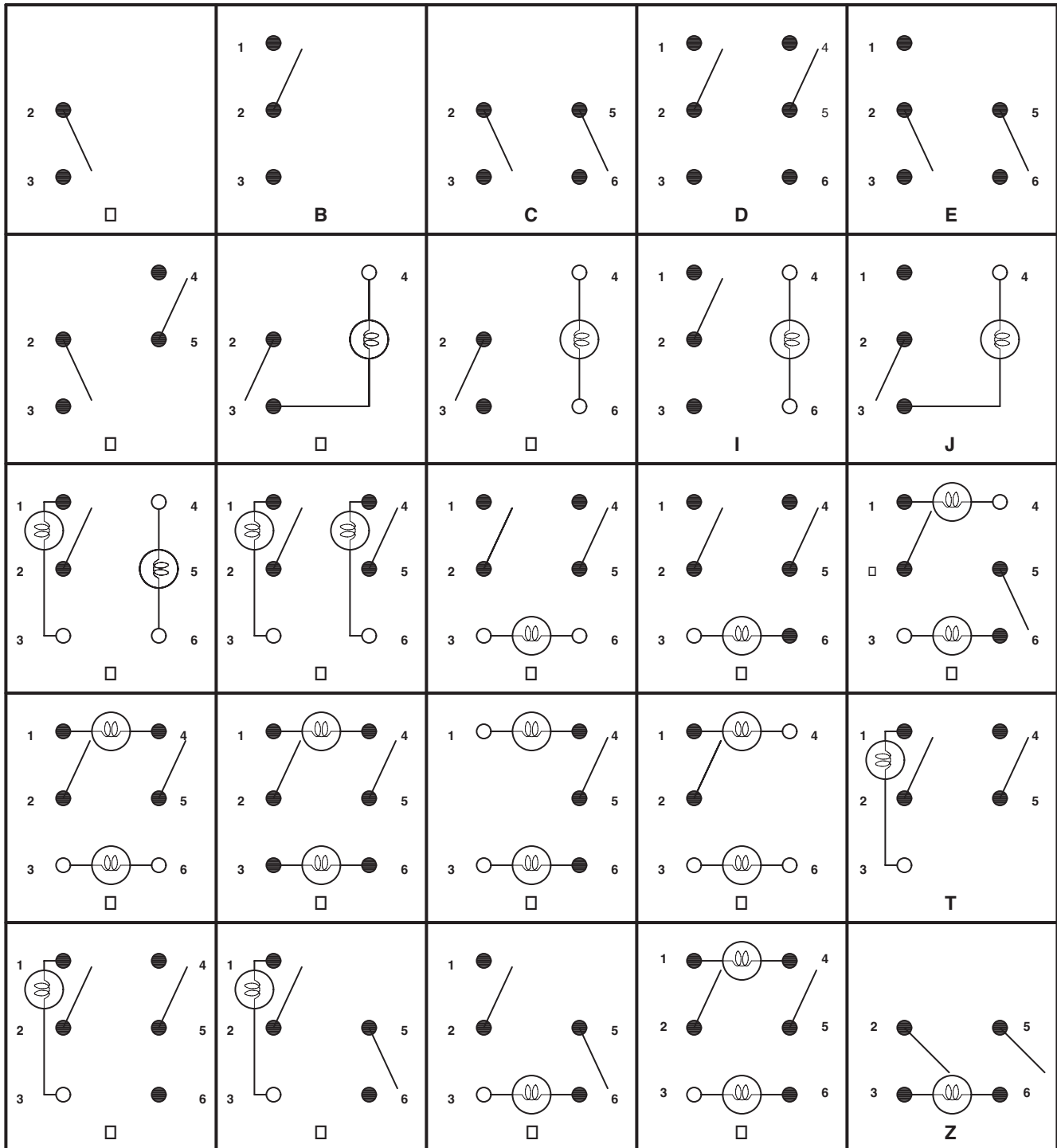
| incandescent | | neon | |
|--------------|---------|-------------|---------------|
| 6V | 6 volt | 125N | 125 volt neon |
| 12V | 12 volt | 250N | 250 volt neon |
| 18V | 18 volt | | |
| 24V | 24 volt | | |
| 28V | 28 volt | | |

Notes:
 Imprinting is available. Consult factory.
 Panel Cut-Out Recommendations: For sheet metal panels, switch must enter panel in same direction as the punch. (Burr on bottom.) Test cut hole in actual material.
 1 TG available with circuits A, B, C, D, E, F; LTG available with circuits G, H, I, J, M, N, P, Q, R, T, U, V, Y, Z.
 2 Custom colors are available. Consult factory.
 3 Specify lens color for LTG-Series only.
 () Indicates momentary function.



MOUNTING HOLE
 Panel Thickness:
 .030[.762] min. to
 .250[6.35] max.

*Manufacturer reserves the right to change product specification without prior notice.



● CONTACT TERMINAL
Will make contact with switching lever

● CONTACT TERMINAL AND SWITCH LEVER

○ ISOLATED TERMINAL
Does not make contact with switching lever

⊗ BULB

REV_SW_TG/LTG_0912