

# 4 | CTB-Series - Panel Mount Rocker Thermal Circuit Protector



### Rating:

3 to 15A, 125, 250VAC, 50VDC

### Approvals:

UL, CUL, VDE, CE

### Interrupting capacity:

1000 amps

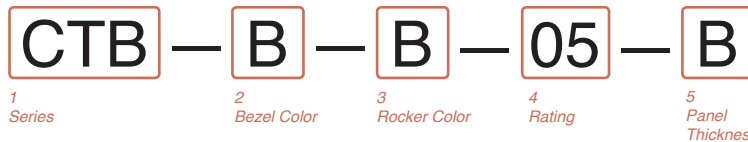
### Insulation Resistance:

100M ohms

### Applications:

- Household Appliances
- Transportation
- Marine
- Power Strips
- Medical Equipment
- Audio Visual Equipment
- Power Supplies
- Exercise Equipment
- ROHS Compliant

## Ordering Scheme



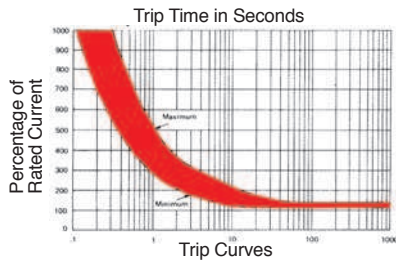
- 1 SERIES**  
CTB
- 2 BEZEL COLOR<sup>1</sup>**  
B Black
- 3 ROCKER COLOR<sup>1</sup>**  
B Black

4 RATING			
03	3 amp	08	8 amp
04	4 amp	09	9 amp
05	5 amp	10	10 amp
06	6 amp	12	12 amp
07	7 amp	13	13 amp
14	14 amp	15	15 amp

- 5 PANEL THICKNESS**  
blank fits standard thickness of .032 - .062  
B fits .070 - .110 panel thickness

Notes:  
1 Additional colors available. Consult factory.

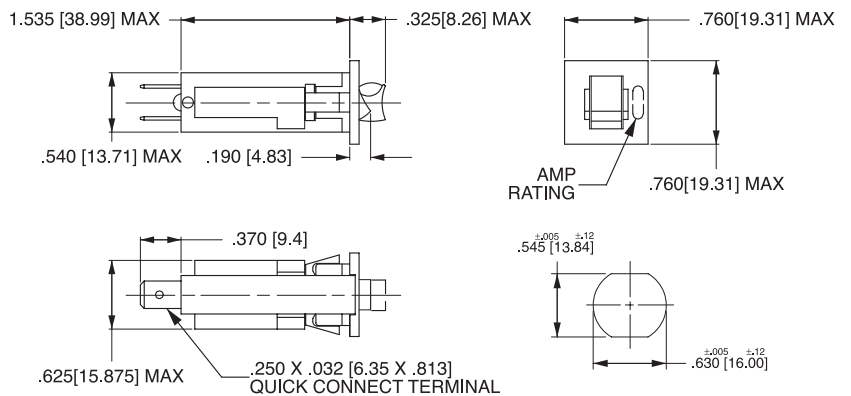
## Time Delay



CORRECTION FACTOR <sup>1</sup>	
0°C	x .67
10°C	x .72
15°C	x .83
18°C	x .87
25°C	x 1.00
32°C	x 1.05
40°C	x 1.18
50°C	x 1.33
60°C	x 1.67

Notes:  
1 To adjust the breaker rating for ambient temperature, multiply the breaker rating by the factor. (ex: 5A rating x .850 = 4.25A. Select 4A rating.)

## Dimensional Specifications: in. [mm]



RECOMMENDED PANEL THICKNESS:  
.032 - .062 [ .81-1.57

Notes:  
All dimensions are in inches [millimeters]. Tolerance  $\pm .005$  [ .127] unless otherwise specified. Breaker must hold 100% of rated current and must trip at 150% and above, within the time limits shown in curve. Trip times specified at 25° ambient with no preloading.

\*Manufacturer reserves the right to change product specification without prior notice.